

## SAFETY GUIDE

**WARNING** - Before using, read these user's manuals of this product to ensure correct usage through understanding. After reading, store them in a safe place for future reference. Incorrect handling of this product could possibly result in personal injury or physical damage. The manufacturer assumes no responsibility for any damage caused by mishandling that is beyond normal usage defined in these manuals of this product.

- You will be using sharp tools. Always use personal protective equipment such as gloves and safety glasses to avoid the risk of injury.
- Make sure the floor you step on is dry, free from any liquids such as oil and water when assembling this product. Use anti-slip shoes to avoid falling due to slips.
- Keep this product out of reach of electric current, as this product is made of metal that conducts electricity.
- Make sure there is adequate lighting when doing the assembly. When assembling keep it away from children and pets.
- Please note, that whether you are cleaning manually or semi-automatically all solid waste must be removed with a scoop and spot washed with the cordless power washer prior to cleaning.

## EQUIPMENT FOR ASSEMBLE

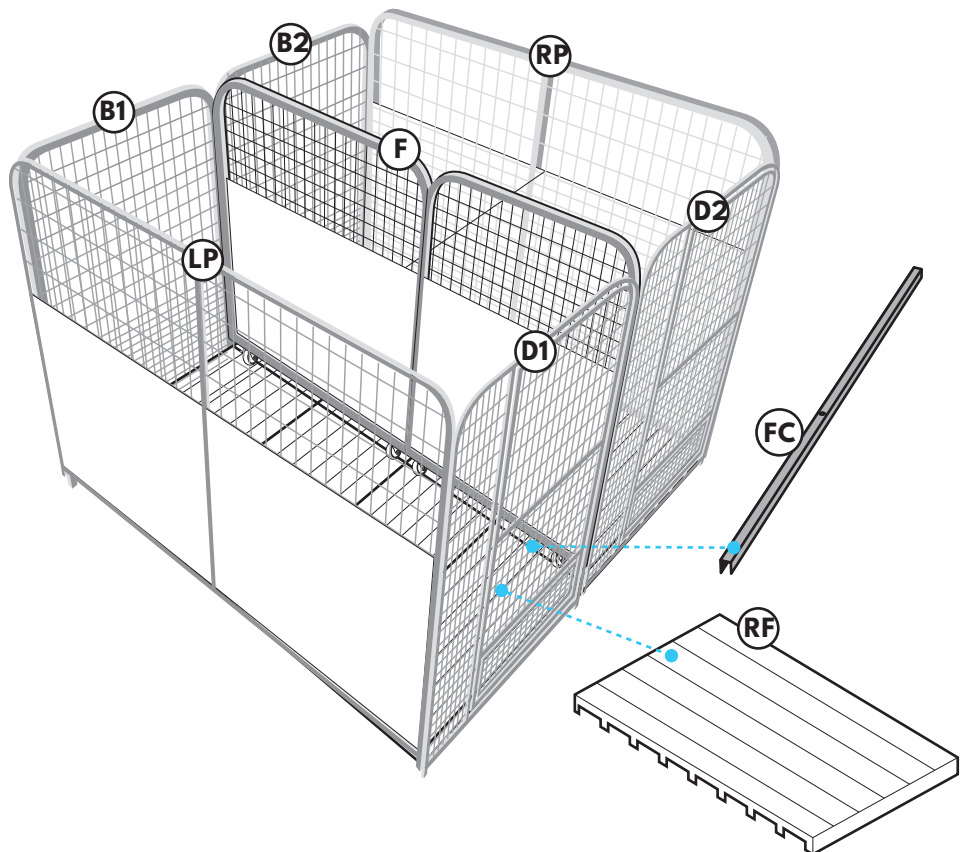
Not included in the item package.

- Safety transparent glass (optional)
- Safety Gloves and Safety Shoes
- Metal Scissors
- Electrical Hand Drill



It is recommended that you have knowledge of assembly are helpful.

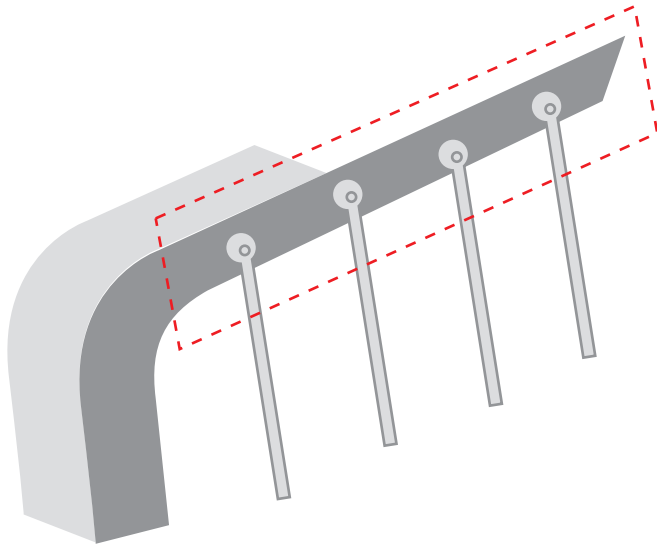
LP - Left Panel  
 RP - Right Panel  
 B1 - Back Panel 1  
 B2 - Back Panel 2  
 D1 - Door Panel 1  
 D2 - Door Panel 2  
 F - Folding Panel  
 RF - Raised Flooring  
 FC - Floor Channel



## K9 KENNEL STORE

833 West 27th Street Ogden, Ut 84401  
 Phone : (801) 621-4024 Fax :(801) 621-4353  
 E-Mail : k9kennelsstore@gmail.com

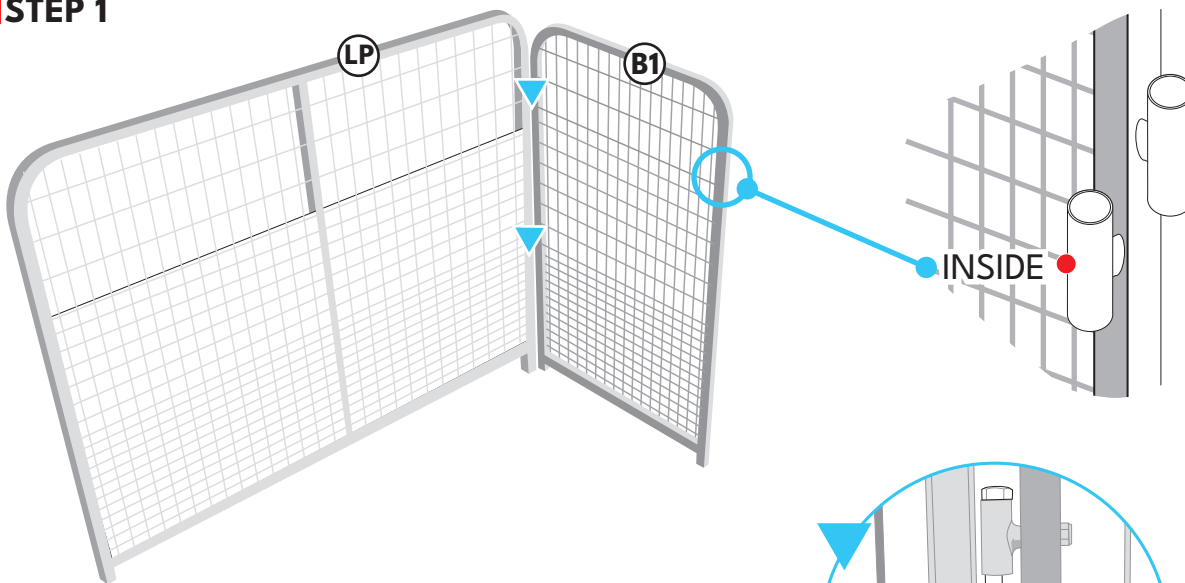
# HOW TO ASSEMBLY



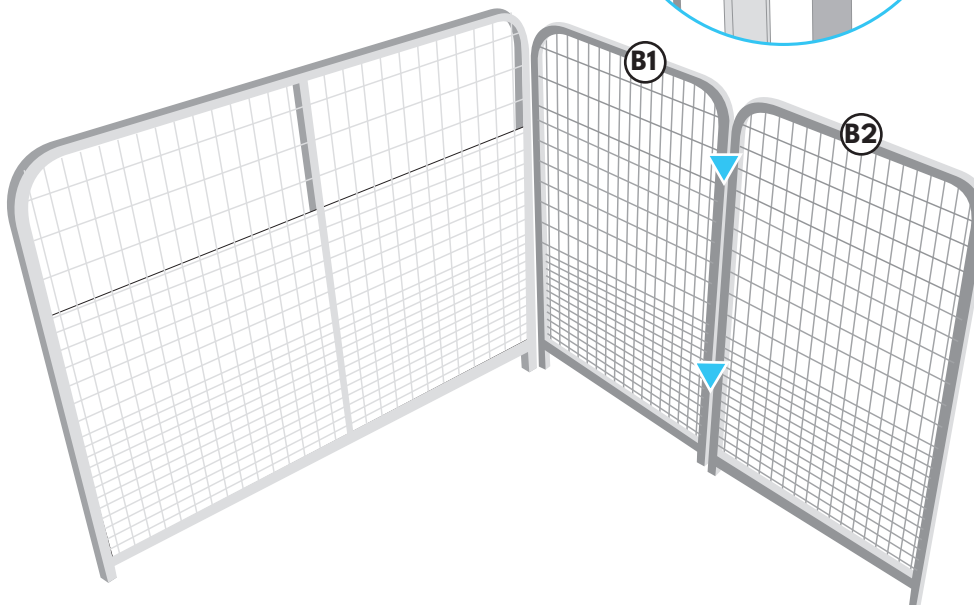
## NOTES

When you install the outer side panels, please make sure that the fence panels position are with welded mesh and wire facing to the inside of kennel

## STEP 1

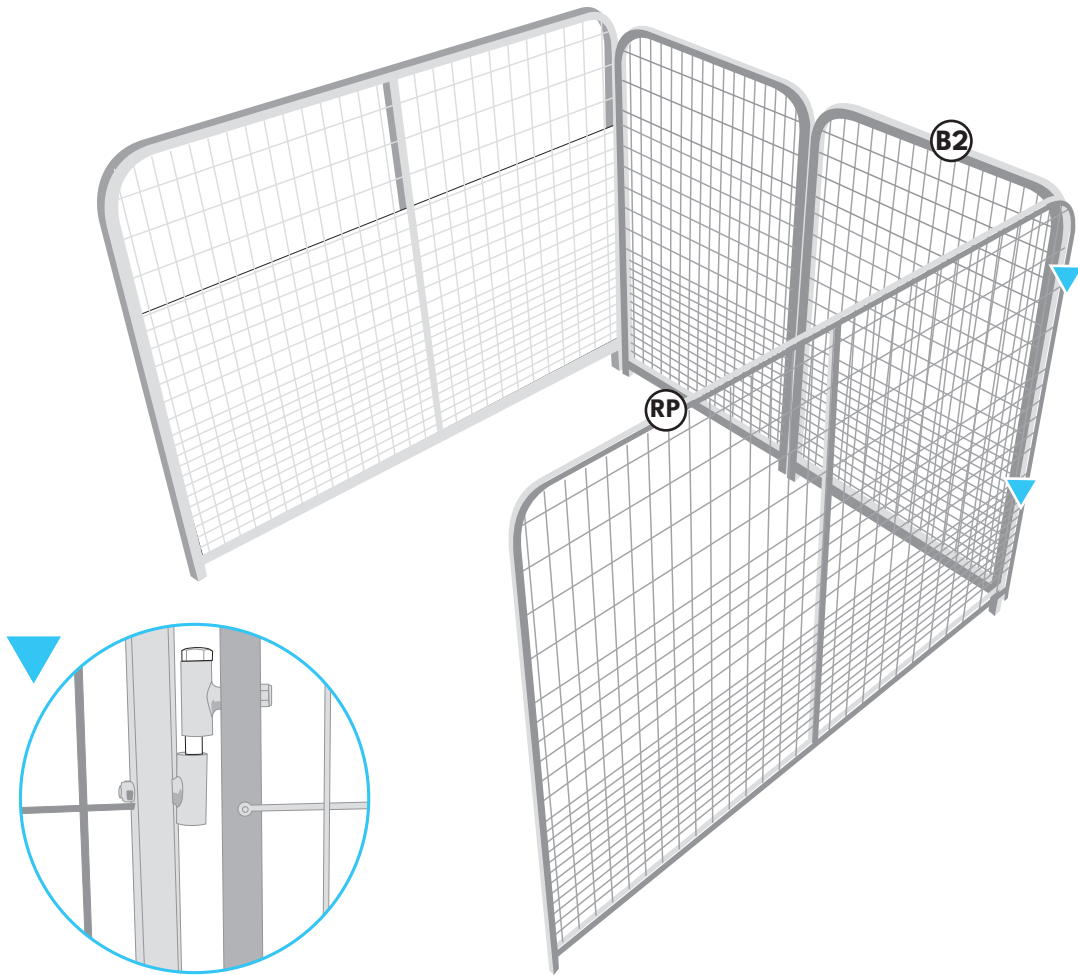


## STEP 2



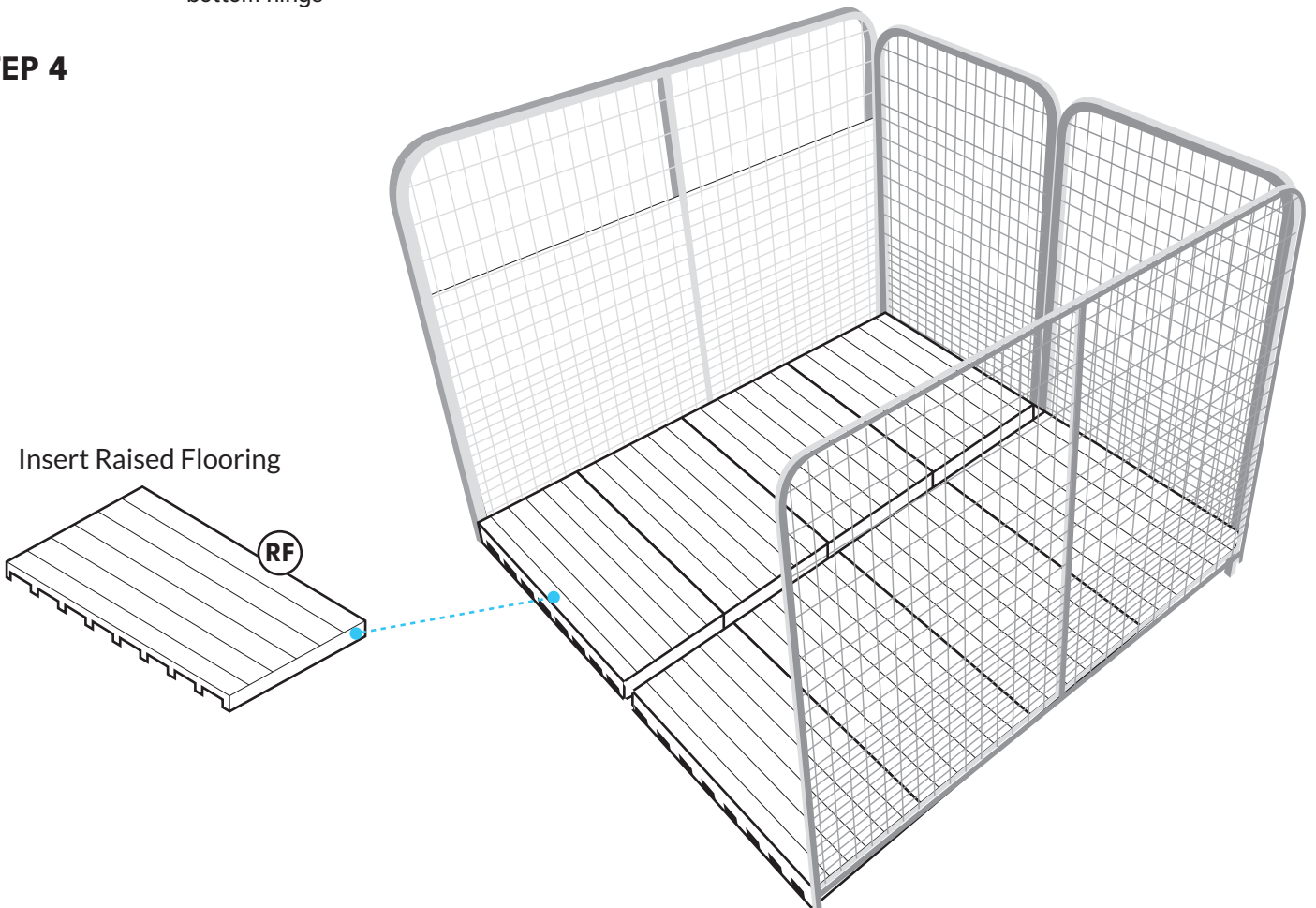
Insert the 5.5" hinge for the top and the bottom hinge

**STEP 3**

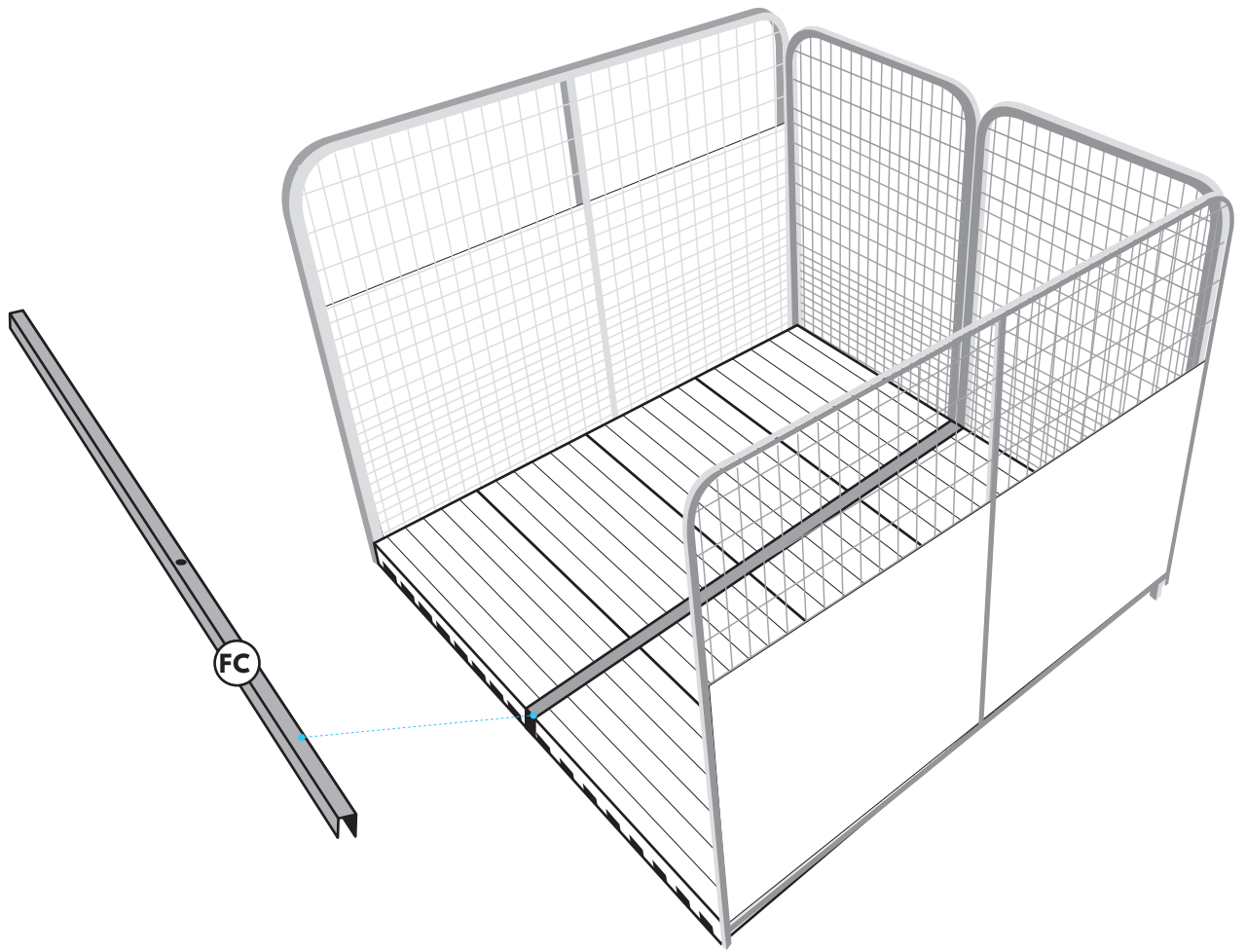


Insert the 5.5" hinge  
for the top and the  
bottom hinge

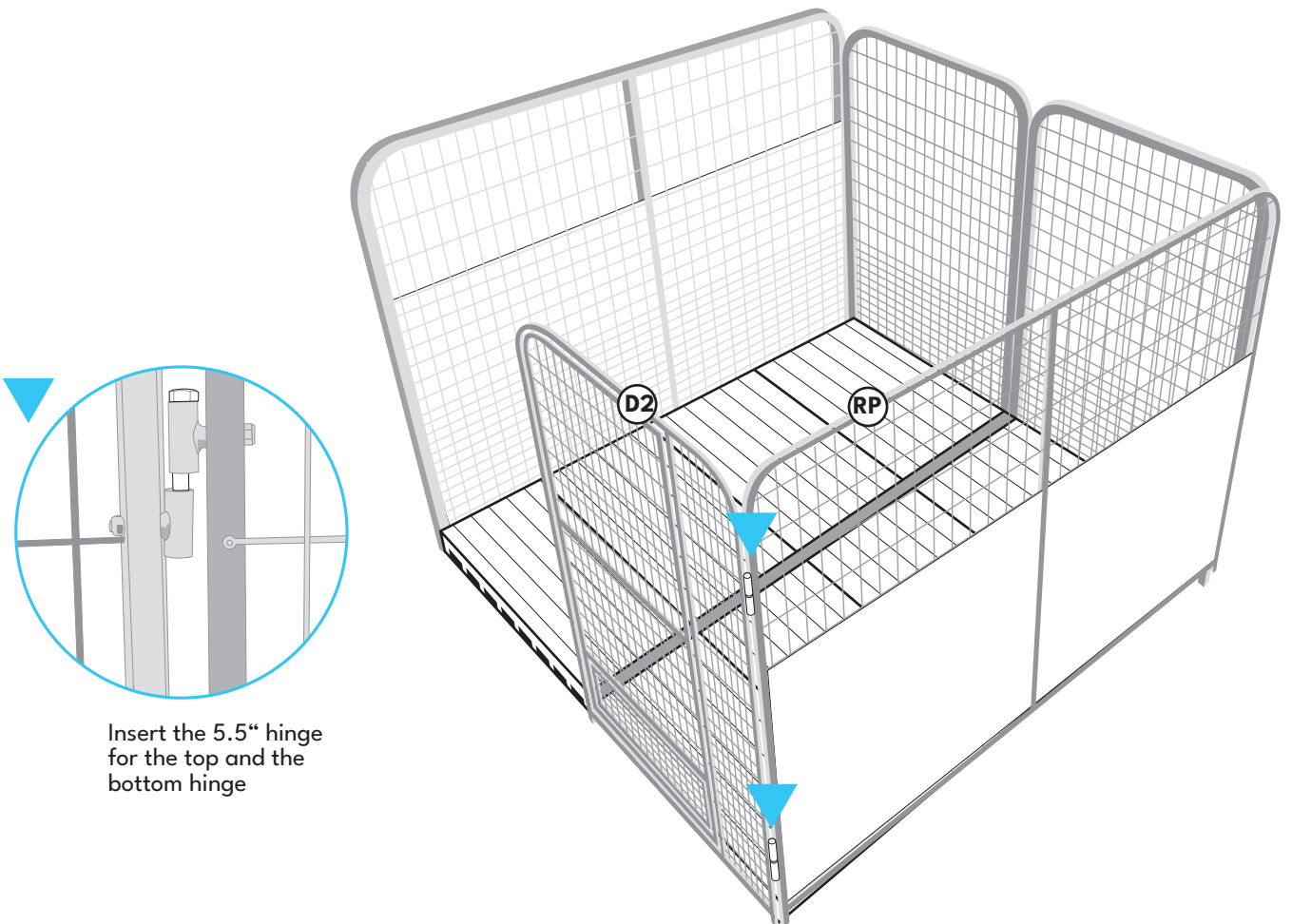
**STEP 4**



**STEP 5**

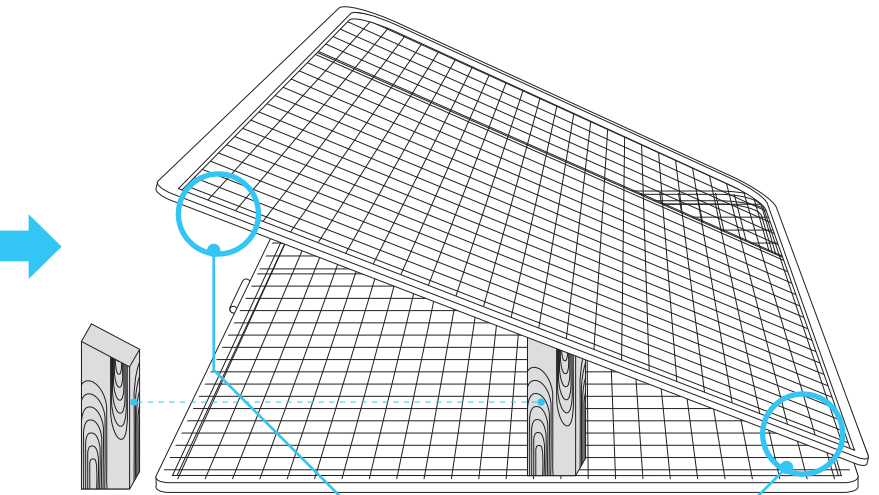
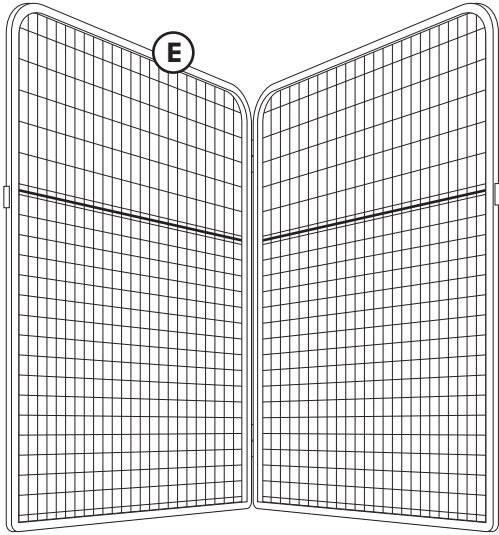


**STEP 6**

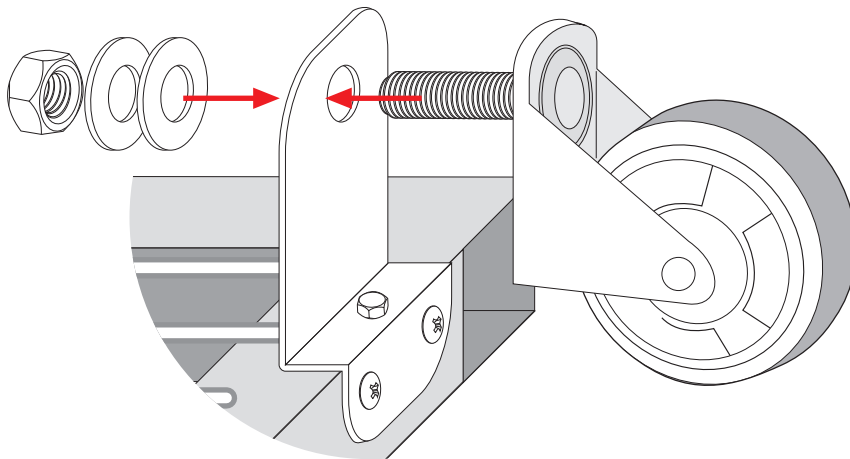
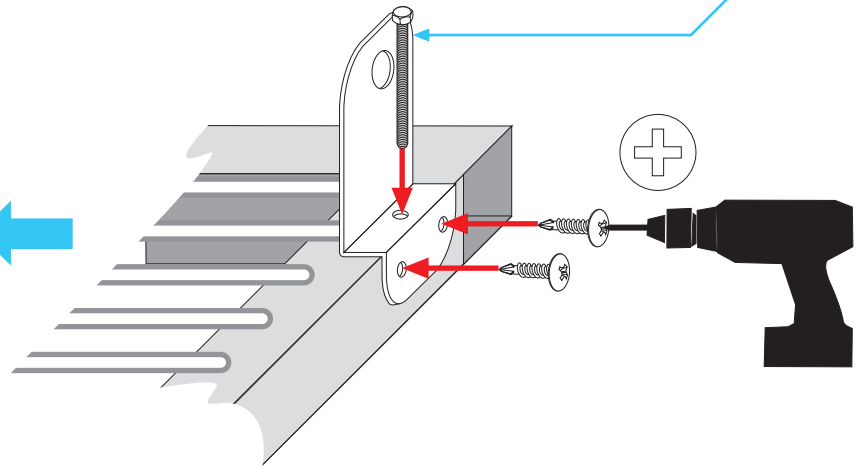
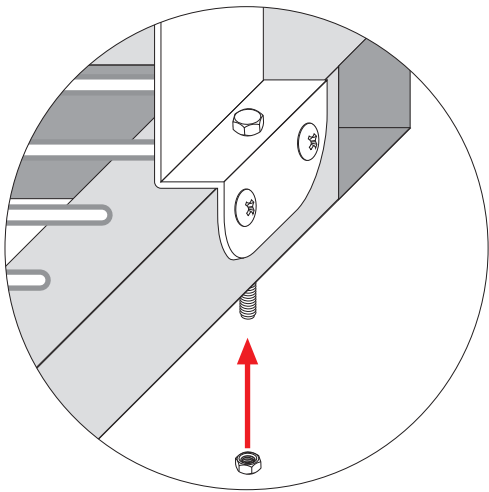


Insert the 5.5" hinge  
for the top and the  
bottom hinge

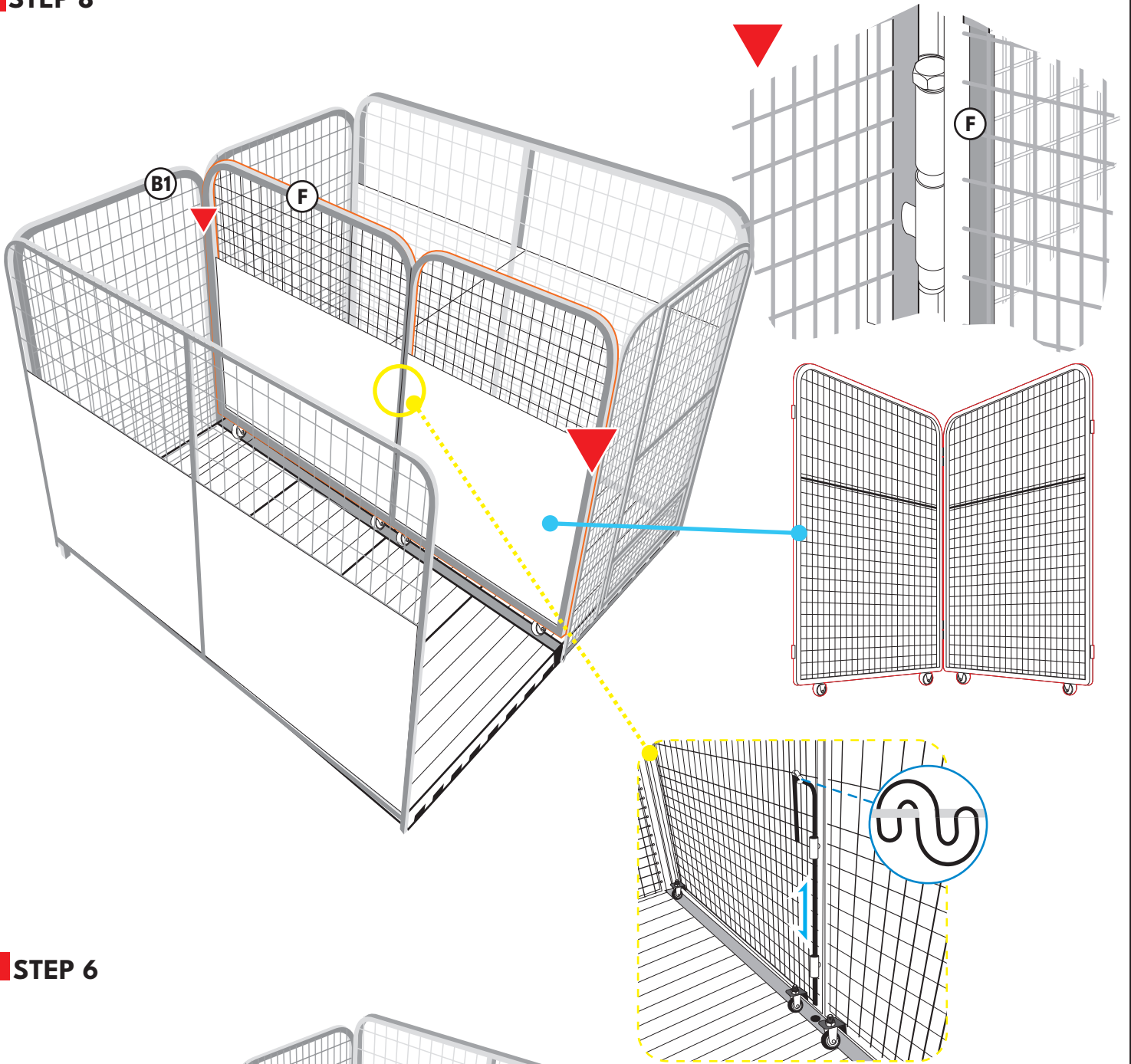
**STEP 7**



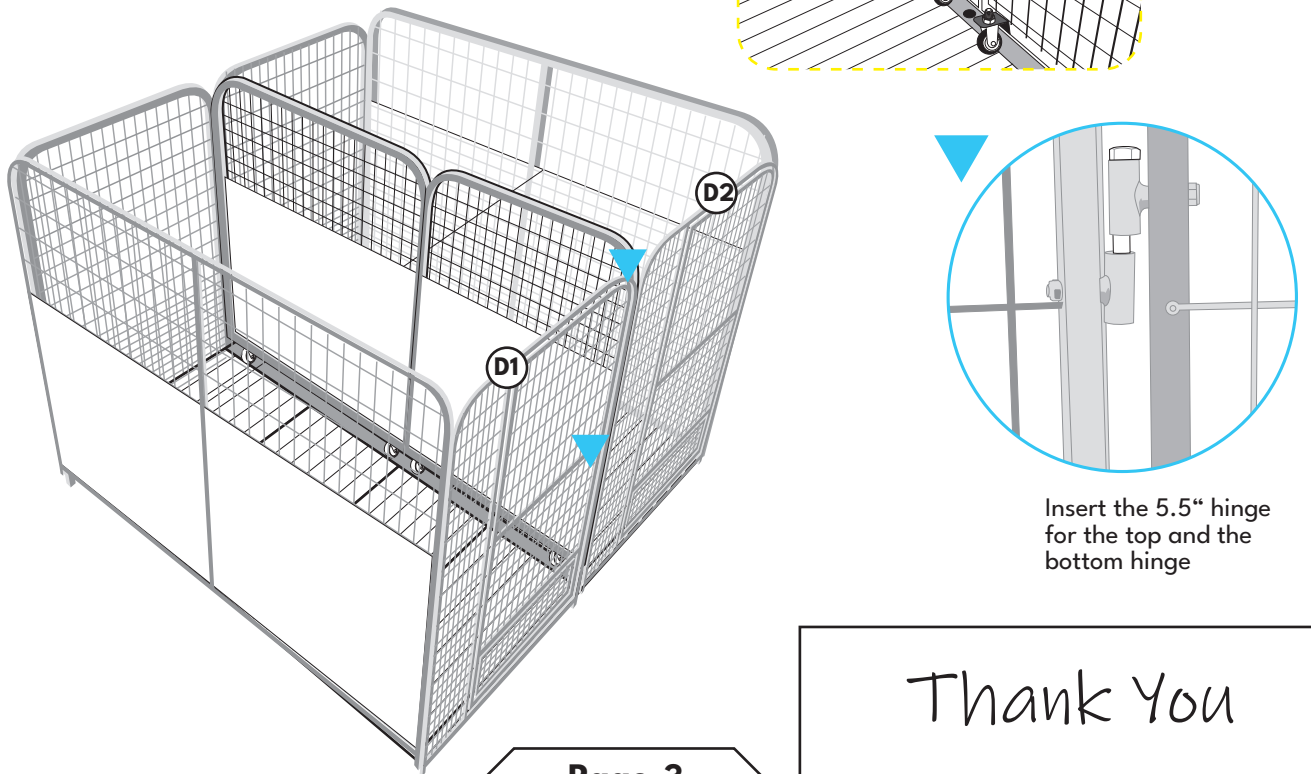
\*Wooden log not included



**STEP 8**



**STEP 6**



Thank You